



Product Profile

SONIC Y-VERTER™ VALVE



The Sonic Y-Verter™ Valve is designed for system integration use with Sonic Centrifugal Blowers and systems. High velocity air can be diverted virtually instantaneously from Outlet A to Outlet B. The valve is designed for up to 60 cycles per minute continuous duty with negligible pressure drop.

In many applications the Sonic Blower may only be required for intermittent use. Continuously turning on and off the blower can cause unnecessary stress on the motor and drive, resulting in the premature shortening of life of the equipment. In this case the Sonic Y-Verter™ Valve can be used to divert the process air through a small orifice nozzle and “dump” a relatively small amount of air – using as little as 10% of the normal horsepower. This small amount of air passing through the blower prevents cavitation – a phenomenon causing excessive vibration.

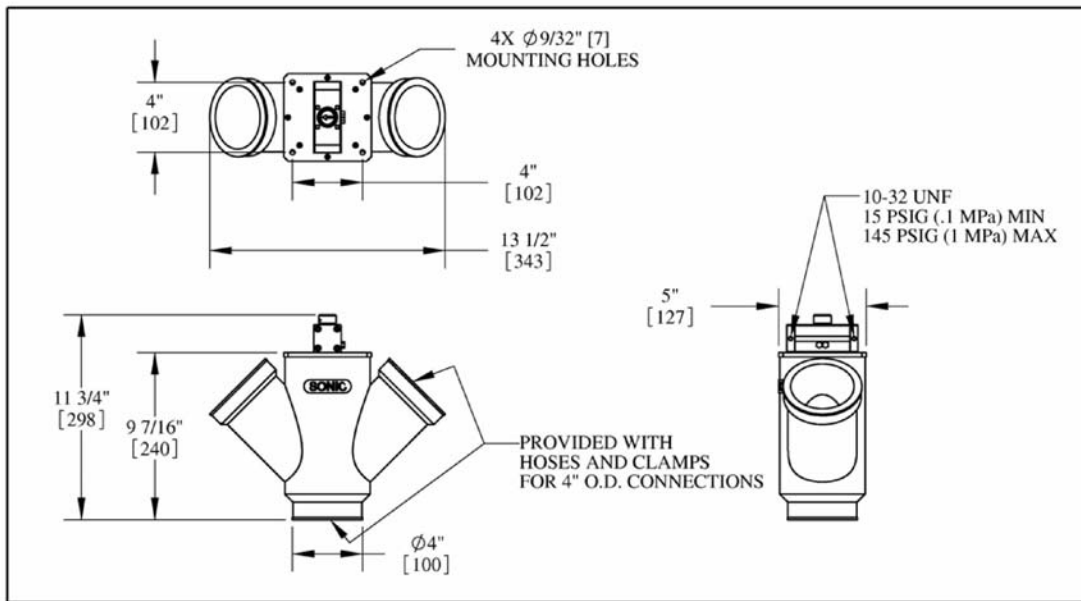
- **Pneumatically Actuated**
- **Instantaneous Response Time**
- **No Electrical Required**
- **Bi-Directional**
- **Designed for Pressure or Vacuum**
- **Small, Light & Compact**
- **Eliminates Expensive Soft Starts**
- **Eliminates Lag time of VFD's & Soft Starts**
- **OK for use in Wet Environments**
- **Prolongs Life of Bearings, Motor & Belts**
- **Negligible Pressure Drop**
- **No maintenance required**

www.sonicairsystems.com



Product Specification Sheet

Valve – 4” Y-Verter



Description	Valve – 4” Y-Verter
Sonic Part No.	14598
Operating Temperature Range	0°F (18°C) to 250°F (121°C)
Maximum Air Pressure	10 PSIG (0.0 Bar)
Maximum Vacuum	12 Hg (0.0 Bar)
Diverter Response Time	1 Second
External & Air Stream Operating Environments	Water Saturated Air, Wash Down, Steam, Low Ph Acids, Dust, Dirt & oils
Material	Cast Aluminum
Approximate Weight	11 lbs (5 kg)

Rev 03/13/2008

Application Examples

